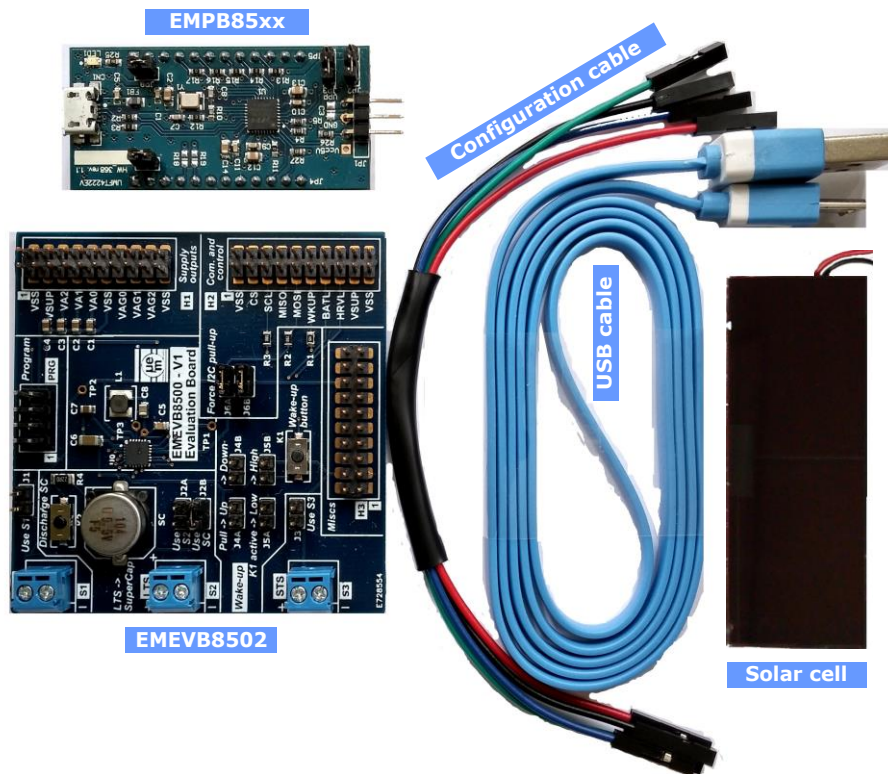


EMEVB8502 QUICK START GUIDE



Your EMEVB8502 Evaluation Kit contains:

- | **EMEVB8500** Evaluation Board for EM8502
- | **EMPB85xx** Configuration tool
- | **USB Cable - Configuration cable**
- | **Solar cell**

Full documentation for **EMEVB8500** and **EMPB85xx** is available on EM's website

https://www.emmicroelectronic.com/sites/default/files/products/files/empb8500_user_guide.pdf
https://www.emmicroelectronic.com/sites/default/files/products/files/emevb8500_user_guide.pdf

To start evaluating **EM8502** and developing your application this quick start document guides you through the set-up of your evaluation hardware kit and software.

1 SOFTWARE DOWNLOAD

- | **Download** the EMPB85xx Configuration software tool from EM website

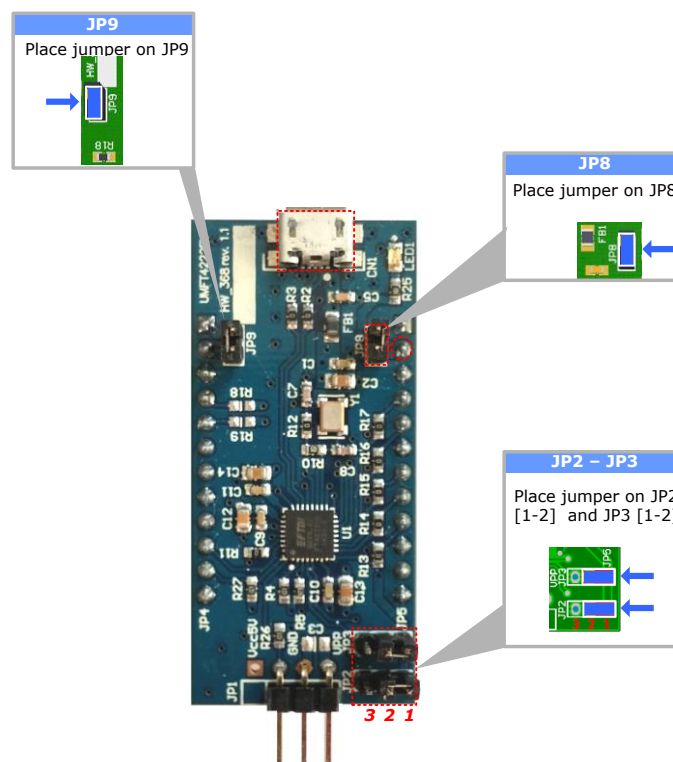
https://www.emmicroelectronic.com/sites/default/files/products/files/EMPB85xx_Setup.exe

2 INSTALL THE DOWNLOADED EMPB85XX CONFIGURATION TOOL SOFTWARE

For additional questions please refer to the EMPB85xx User Guide

3 CONFIGURE THE EMPB85XX

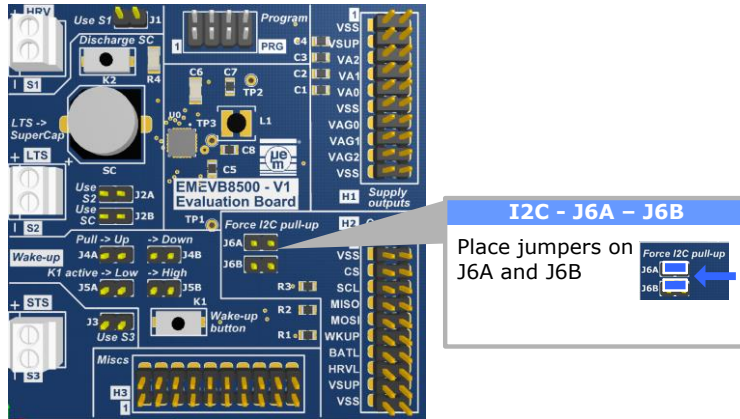
- | **Place the jumpers** as shown below



For additional questions please refer to the EMPB85xx User Guide

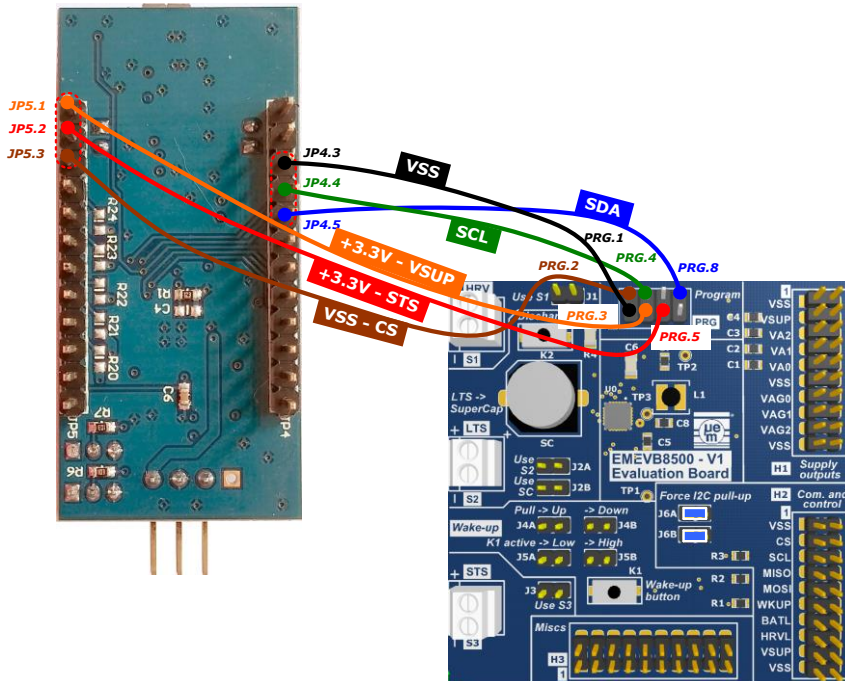
4 CONFIGURE THE EMEVB8500 FOR EM8502

Place the jumper as shown below



5 CONNECT THE CONFIGURATION CABLE FROM THE EMPB85XX TO THE EMEVB8500

- | Connect cable from JP4.3 to PRG.1 (VSS)
- | Connect cable from JP5.3 to PRG.2 (VSS-CS)
- | Connect cable from JP5.1 to PRG.3 (VSUP)
- | Connect cable from JP4.4 to PRG.4 (SCL)
- | Connect cable from JP5.2 to PRG.5 (STS)
- | Connect cable from JP4.5 to PRG.8 (SDA)

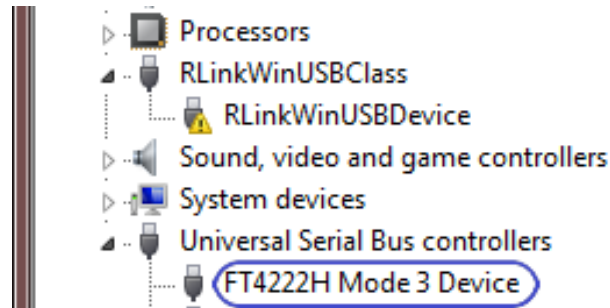


Complete step 5 first then 6 !

6 USB CABLE CONNECTION

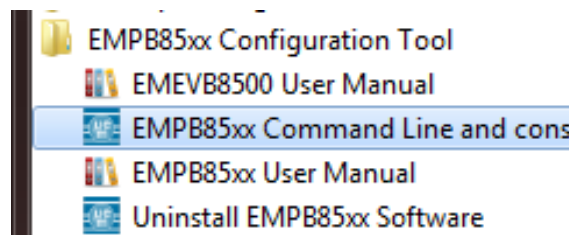
- | Connect USB cable from the PC to the EMPB85xx.
- | Verify EMPB85xx USB detection (FT4222) in Device Manager / Universal Serial Bus controllers

➔ FT4222H Mode 3 Device.



7 CHECK THE COMMUNICATION

- | Click on the shortcut “EM Microelectronic” ➔ “EMPB85xx Command Line and console”.
- | Type the following command **empb85xx -test**



The message below indicates that communication to the programmer and to the EM8502 device is established.

```
EMPB85xx Command Line and console
G:\Program Files (x86)\EMPB85xx Software\empb85xx -test
~
~
EM MICROELECTRONIC MARIN
EMPB85XX Configuration Tool utility
~
~
Version 1.0
~
~
Welcome

- Test operation requested:

EMPB85xx Configuration Tool - Start USB
EMPB85xx Configuration Tool Communication Parameters:
Flag= 0x2, <DEVICE_CLOSED, High-speed USB>
Type= 0xc
ID= 0x403601c
LocId= 0x218
SerialNumber= FTU0P0LL
Description= FT4222
FtHandle= 0x0
* EMPB85xx Configuration Tool initialized
* EMPB85xx Configuration Tool ready
* EMPB85xx Configuration Tool has found EM8500 device at I2C slave address 0x2
Test sequence completed
Close EMPB85xx Configuration Tool communication ... Bye
```

EM Microelectronic-Marine SA (“EM”) makes no warranties for the use of EM products, other than those expressly contained in EM's applicable General Terms of Sale, located at <http://www.emmicroelectronic.com>. EM assumes no responsibility for any errors which may have crept into this document, reserves the right to change devices or specifications detailed herein at any time without notice, and does not make any commitment to update the information contained herein.

No licenses to patents or other intellectual property rights of EM are granted in connection with the sale of EM products, neither expressly nor implicitly.

In respect of the intended use of EM products by customer, customer is solely responsible for observing existing patents and other intellectual property rights of third parties and for obtaining, as the case may be, the necessary licenses.

Important note: The use of EM products as components in medical devices and/or medical applications, including but not limited to, safety and life supporting systems, where malfunction of such EM products might result in damage to and/or injury or death of persons is expressly prohibited, as EM products are neither destined nor qualified for use as components in such medical devices and/or medical applications. The prohibited use of EM products in such medical devices and/or medical applications is exclusively at the risk of the customer