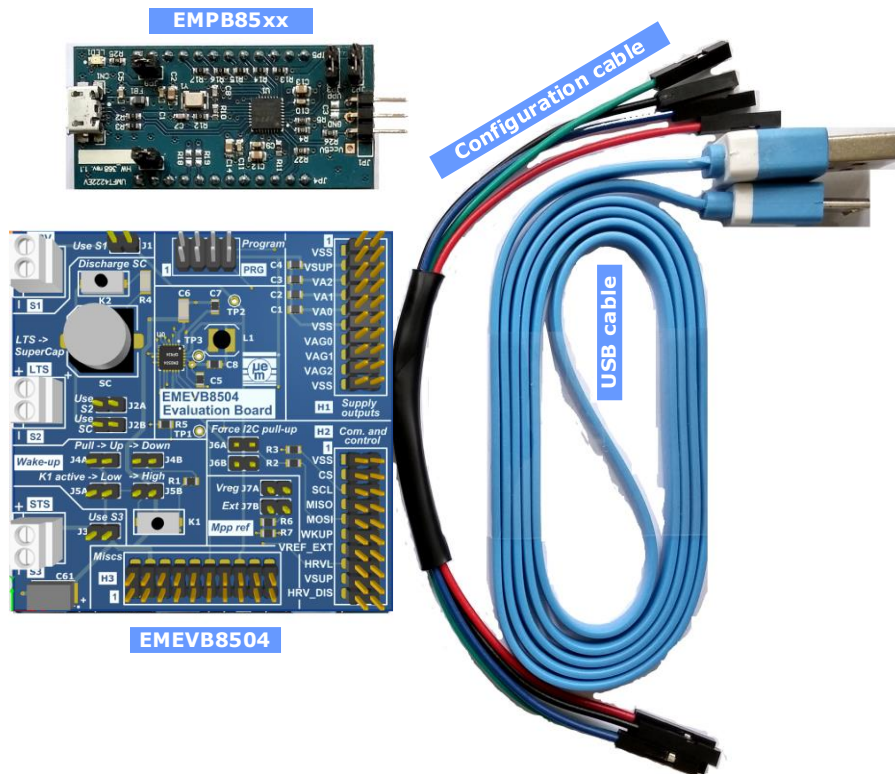


## EMEVB8504 QUICK START GUIDE



Your EMEVB8504 Evaluation Kit contains:

- | **EMEVB8504** Evaluation Board for EM8504
- | **EMPB85xx** Configuration tool
- | **USB Cable - Configuration cable**

Full documentation for **EMPB85xx** is available on EM's website

[https://www.emmicroelectronic.com/sites/default/files/products/files/empb8500\\_user\\_guide.pdf](https://www.emmicroelectronic.com/sites/default/files/products/files/empb8500_user_guide.pdf)

To start evaluating EM8504 and developing your application, this quick start document guides you through the set-up of your evaluation hardware kit and software.

## 1 SOFTWARE DOWNLOAD

- | **Download** the EMPB85xx Configuration software tool from EM website

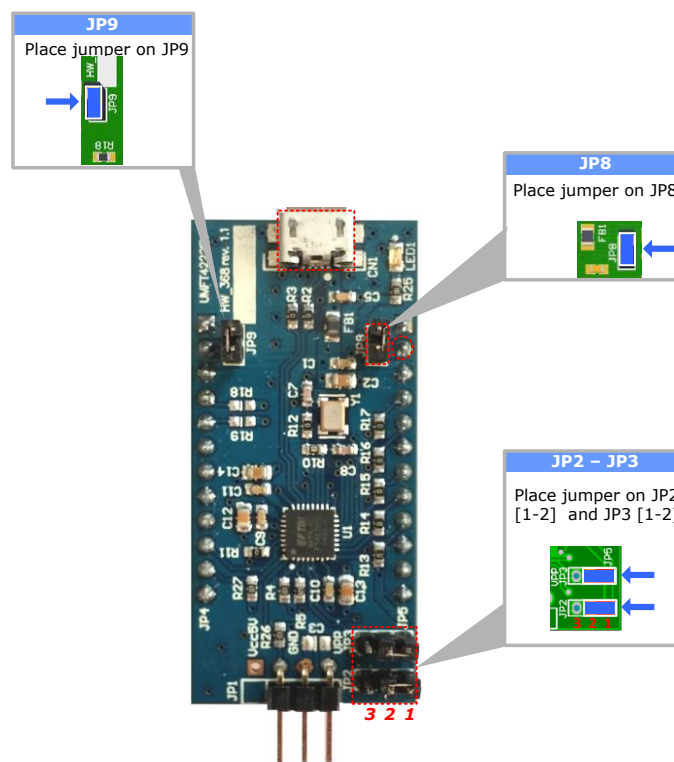
<https://www.emmicroelectronic.com/sites/default/files/products/files/SetupEMPB85xx.exe>

## 2 INSTALL THE DOWNLOADED EMPB85XX CONFIGURATION TOOL SOFTWARE

For additional questions please refer to the EMPB85xx User Guide

## 3 CONFIGURE THE EMPB85XX

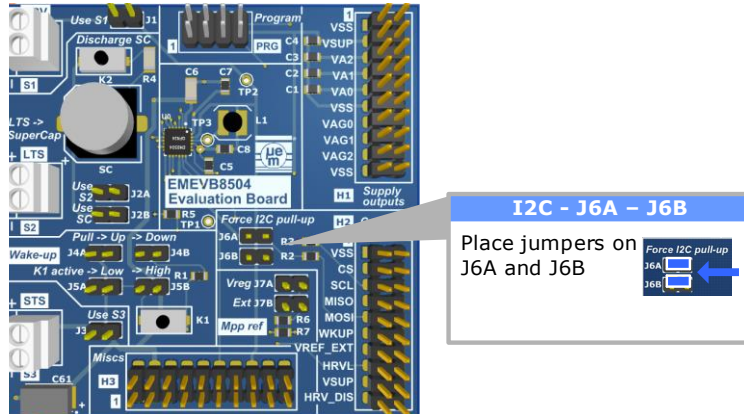
- | **Place the jumpers** as shown below



For additional questions please refer to the EMPB85xx User Guide

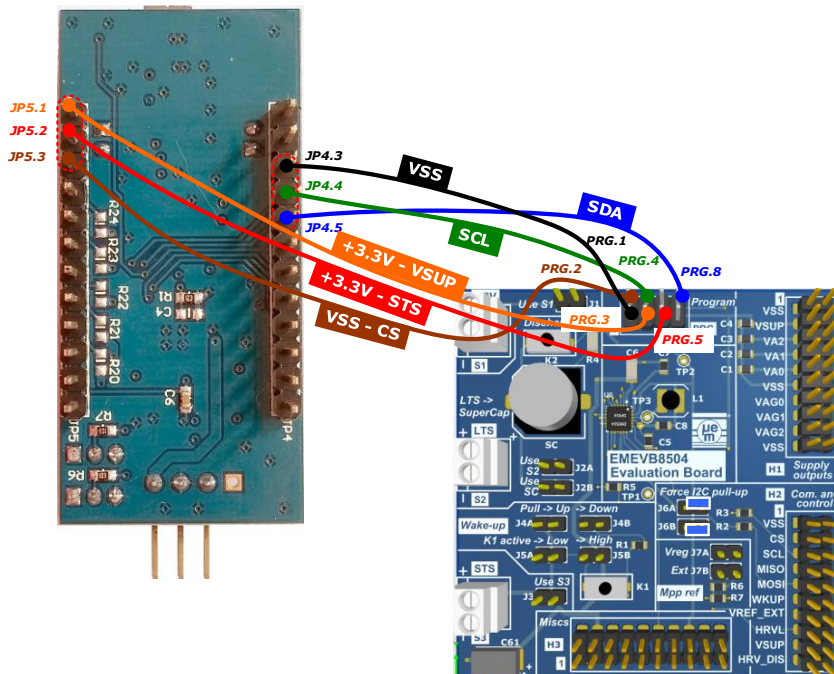
## 4 CONFIGURE THE EMEVB8504 FOR EM8504

- Place the jumper as shown below



## 5 CONNECT THE CONFIGURATION CABLE FROM THE EMPB85XX TO THE EMEVB8504

- Connect cable from JP4.3 to PRG.1 (VSS)
- Connect cable from JP5.3 to PRG.2 (VSS-CS)
- Connect cable from JP5.1 to PRG.3 (VSUP)
- Connect cable from JP4.4 to PRG.4 (SCL)
- Connect cable from JP5.2 to PRG.5 (STS)
- Connect cable from JP4.5 to PRG.8 (SDA)

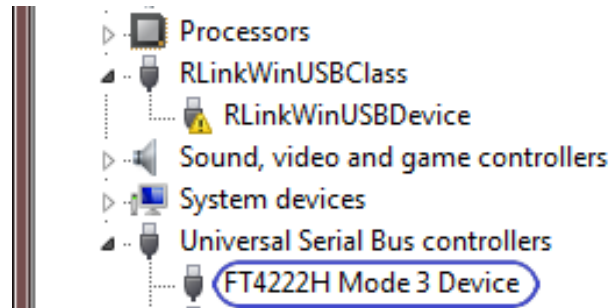


**Complete step 5 first then 6 !**

## 6 USB CABLE CONNECTION

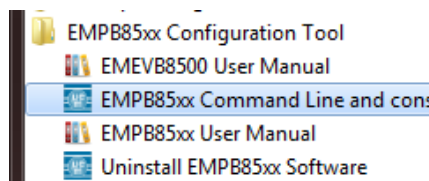
- | Connect USB cable from the PC to the EMPB85xx.
- | Verify EMPB85xx USB detection (FT4222) in Device Manager / Universal Serial Bus controllers

➔ FT4222H Mode 3 Device.



## 7 CHECK THE COMMUNICATION

- | Click on the shortcut “EM Microelectronic” ➔ “EMPB85xx Command Line and console”.
- | Type the following command **empb85xx -test**



The message below indicates that communication to the programmer and to the EM8504 device is established.

```

EMPB85xx Software Version is: 2.4 Date 20th August 2025
- Test operation requested:

EMPB85xx Configuration Tool State: Start USB

EMPB85xx Configuration Tool Communication Parameters:
Flags= 0x2, (DEVICE_CLOSED, High-speed USB)
Type= 0xc
ID= 0x403601c
LocId= 0x164411
SerialNumber=
Description= FT4222
ftHandle= 0x0

EMPB85xx Configuration Tool State: Initialized
EMPB85xx Configuration Tool State: Ready
EMPB85xx Configuration Tool State: EM8504 device found at I2C slave address 0x77
Test sequence operation completed

Close EMPB85xx Configuration Tool communication ... Bye
    
```

## 8 ADDITIONAL INFORMATION

For loading a new configuration into the EM8504 of the EMEVB8504 refer to the EM8504 and other support package files.

For configuring the EMEVB8504 board for operation refer the EMEVB85xx user guide:  
<https://www.emmicroelectronic.com/sites/default/files/products/files/EMEVB8500-MN01.pdf>

Some specific settings for EMEVB8504 are described (VMPP configuration, HRV\_DIS).

EM Microelectronic-Marin SA ("EM") makes no warranties for the use of EM products, other than those expressly contained in EM's applicable General Terms of Sale, located at <http://www.emmicroelectronic.com>. EM assumes no responsibility for any errors which may have crept into this document, reserves the right to change devices or specifications detailed herein at any time without notice, and does not make any commitment to update the information contained herein.

No licenses to patents or other intellectual property rights of EM are granted in connection with the sale of EM products, neither expressly nor implicitly.

In respect of the intended use of EM products by customer, customer is solely responsible for observing existing patents and other intellectual property rights of third parties and for obtaining, as the case may be, the necessary licenses.

**Important note: The use of EM products as components in medical devices and/or medical applications, including but not limited to, safety and life supporting systems, where malfunction of such EM products might result in damage to and/or injury or death of persons is expressly prohibited, as EM products are neither destined nor qualified for use as components in such medical devices and/or medical applications. The prohibited use of EM products in such medical devices and/or medical applications is exclusively at the risk of the customer**