

EM9304 DVK FACTSHEET

DESCRIPTION

The EM9304 is a tiny, low-power, integrated circuit (IC) optimized for *Bluetooth® 5.0* low energy enabled products. The flexible architecture of the EM9304 allows it to act as a companion IC to any ASIC or MCU-based product, or as a complete System-on-Chip (SoC).
<https://www.emmicroelectronic.com/product/standard-protocols/em9304>

The EM9304DVK provides the hardware tools to develop a complete application running on an external controller and using the EM9304.

CONTENT

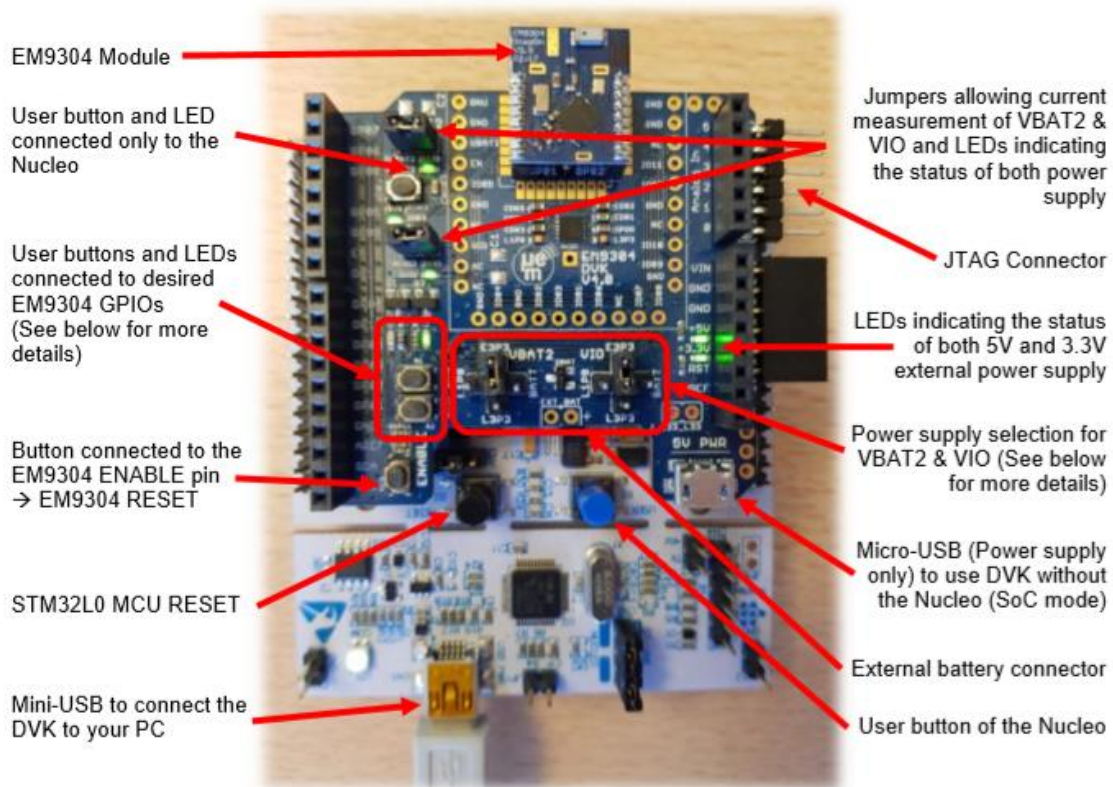
The EM9304 DVK consists of 3 boards and 1 cable:

- A white ST Nucleo board.
- A blue EM Microelectronic Arduino board.
- An EM Microelectronic EM9304 module. Extra modules can be ordered separately from the DVK.
- A USB to USB mini cable to power the system.

After registration to our support forum and account validation, you can access such resources as:

The getting started guide -
<https://forums.emdeveloper.com/index.php?resources/em9304-dvk-getting-started-guide.44/>

The software tools -
<https://forums.emdeveloper.com/index.php?resources/>.



ORDERING INFORMATION

The products below are considered standard and should be readily available. Please make sure to give the complete part number when ordering.

Part Number	Description	Container	Units per Container
EMDVK9304	Bluetooth Low Energy Development Kit	Box	1
MD9304Q-2V1 SD-SP	EM9304 Module	-	1