



Real Time Clocks ICs and RTC Modules

Description

The V3020 and V3021 are low-power real time clocks ICs with a 3-wire serial interface operating up to +125°C.

The V3022, V3023 and V3025 are RTC Modules with integrated 32.768kHz crystal and parallel interface.

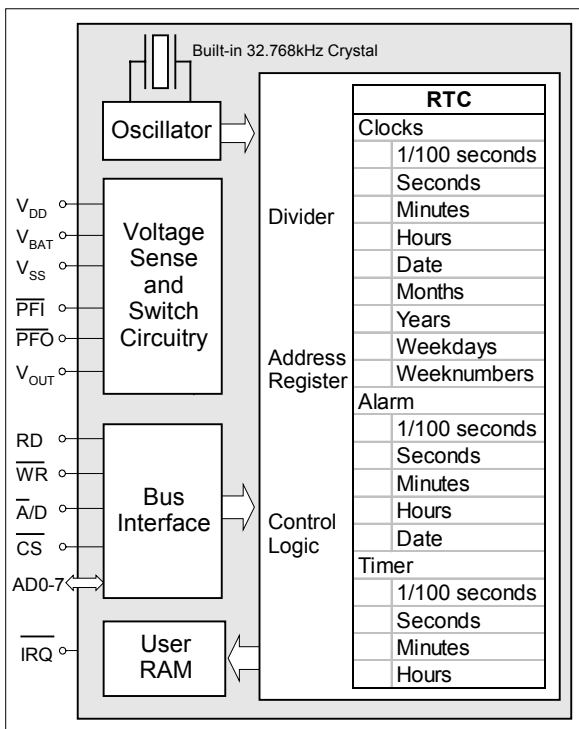
The V3023, A3024 and V3025 feature 16-Bytes of user RAM.

The V3025 has a built-in power sense circuit which detects power failures and automatically switches to the battery supply.

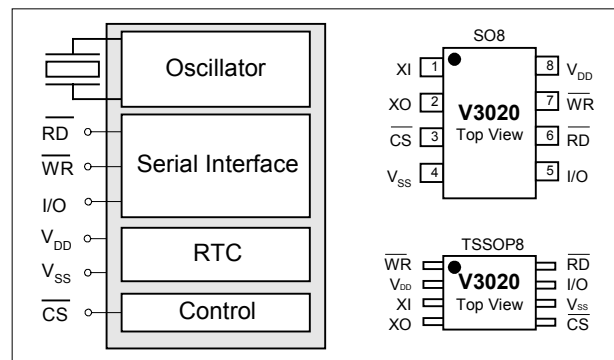
Features

- Operating temperature from -40 up to +125°C
- Small TSSOP8 and SO8 packages
- Ultra-low 390nA supply current
- Serial Interface
- Supply voltage from 1.2V up to 5.5V
- Built-in 32.768kHz crystal
- Battery or super-cap backup with integrated automatic switch-over circuitry
- 16-Bytes of User RAM
- Timer, alarm, pulse interrupts

RTC Module (V3022/23/25)



V3020 Serial RTC



Applications

- Engine control unit (ECU)
- Point of sales (POS)
- Metering
- Dashboard
- Datalogger

EM Family of Real Time Clocks

Part Number	Built-in crystal	Backup function	User RAM	Bus Interface	Supply Voltage	Standby Current	Temperature Range	Packages
V3020				3-wire serial	1.2 to 5.5V	390nA	-40° to +85°C -40° to +125°C	SO8 TSSOP8
V3021				3-wire serial	2.0 to 5.5V	800nA	-40° to +85°C -40° to +125°C	SO8 DIP8
V3022	◆			8-wire parallel	2.0 to 5.5V	1200nA	-40° to +85°C	SO28
V3023	◆		16-Bytes	8-wire parallel	2.0 to 5.5V	1200nA	-40° to +85°C	SO28
A3024			16-Bytes	8-wire parallel	2.0 to 5.5V	1200nA	-40° to +85°C	SO20 DIP20
V3025	◆	◆	16-Bytes	8-wire parallel	2.0 to 5.5V	1200nA	-40° to +85°C	SO28